

Version:
December 01, 2022.

DEMINT

Electronics Co., Ltd.

(XT MW)

Double Trap Filters

Web: www.direct-token.com

Email: rfq@direct-token.com

DeMint Electronics Co., Ltd.

China: 17P, Nanyuan Maple Leaf Bldg., Nanshan Ave.,
Nanshan Dist., Shenzhen, Guangdong, China. 518054
Tel: +86 755 26055363

Taiwan: No.137, Sec. 1, Zhongxing Rd., Wugu District,
New Taipei City, Taiwan. 248012
Tel: +886 2981 0109 Fax: +886 2988 7487

▶ Product Introduction**DeMint (XT MW) are Murata Double Trap Filters
TPWA Series Compatible.****(XT MW) Double Trap Filter Quick Selection :**

- Dimensions (Unit: mm): 10.0 max × 8.0 max × 4.0 max.
- XT4.47MW Cener Frequency f_{01} :4.500MHz; Cener Frequency f_{02} :4.724MHz; 30db Min. @ f_{01} & f_{02} ; 50(kHz)Min.@ f_{01} 30dB Att BW
- XT4.60MW Cener Frequency f_{01} :4.500MHz; Cener Frequency f_{02} :6.000MHz; 30db Min. @ f_{01} & f_{02} ; 50(kHz)Min.@ f_{01} 30dB Att BW
- XT5.57MW Cener Frequency f_{01} :5.500MHz; Cener Frequency f_{02} :5.742MHz; 30db Min. @ f_{01} & f_{02} ; 50(kHz)Min.@ f_{01} 30dB Att BW
- XT5.60MW Cener Frequency f_{01} :5.500MHz; Cener Frequency f_{02} :6.000MHz; 30db Min. @ f_{01} & f_{02} ; 50(kHz)Min.@ f_{01} 30dB Att BW
- XT5.65MW Cener Frequency f_{01} :5.500MHz; Cener Frequency f_{02} :6.500MHz; 30db Min. @ f_{01} & f_{02} ; 50(kHz)Min.@ f_{01} 30dB Att BW
- XT6.65MW Cener Frequency f_{01} :6.000MHz; Cener Frequency f_{02} :6.500MHz; 30db Min. @ f_{01} & f_{02} ; 70(kHz)Min.@ f_{01} 30dB Att BW

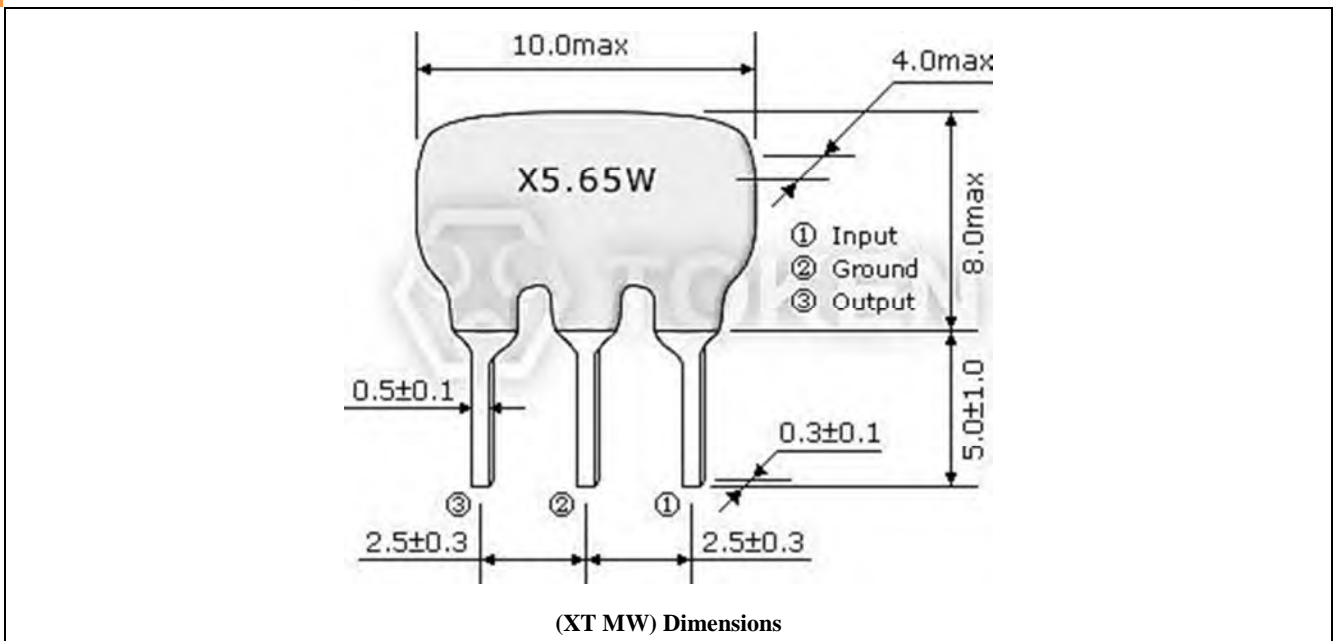
Trap filter is a ceramic filter passes only particular frequency. To the contrary, Band Eliminate Filter (B. E. F.) which blocks or attenuates particular frequency is called trap.

Sound trap for TV set is one of the famous examples of B. E. F. In TV set, video signal is used in picture amplitude circuit after video signal detection block, ceramic resonator is inserting here and trap circuit is formed in order to eliminate sound signal involved in video signal.

DeMint Double Trap Filter (XT MW) Series consist of 2 wafers with 2 trap frequencies. Recommended for Multi standard set. Features with good performance of attenuation and space saving with 3-terminal type. The characteristic of a three-terminal ceramic trap equals two two-terminal ceramic traps. Three-terminal ceramic trap has a monolith structure formed from 2 ceramic resonators.

Full line products meet RoHS compliant. DeMint will also produce devices outside these specifications to meet specific customer requirements, contact us with your specific needs. For more information, please link to DeMint official website "[Ceramic Trap Filters](#)".

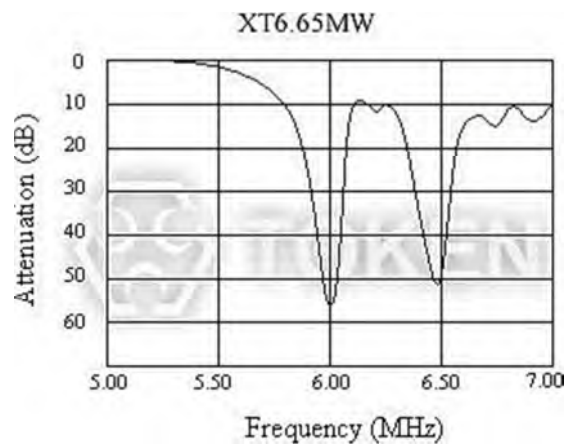


► Dimensions**Dimensions (XT MW)**

Characteristics

Characteristics (XT MW)

Part Number	Center Frequency (fo1)(MHz)	Center Frequency (fo2)(MHz)	Attenuation (at fo1) (dB)Min.	Attenuation (at fo2) (dB)Min.	30dB Attenuation BW (fo1)(kHz)Min.
XT4.47MW	4.500	4.724	30	30	50
XT4.60MW	4.500	6.000	30	30	50
XT5.57MW	5.500	5.742	30	30	50
XT5.60MW	5.500	6.000	30	30	50
XT5.65MW	5.500	6.500	30	30	50
XT6.65MW	6.000	6.500	30	30	70



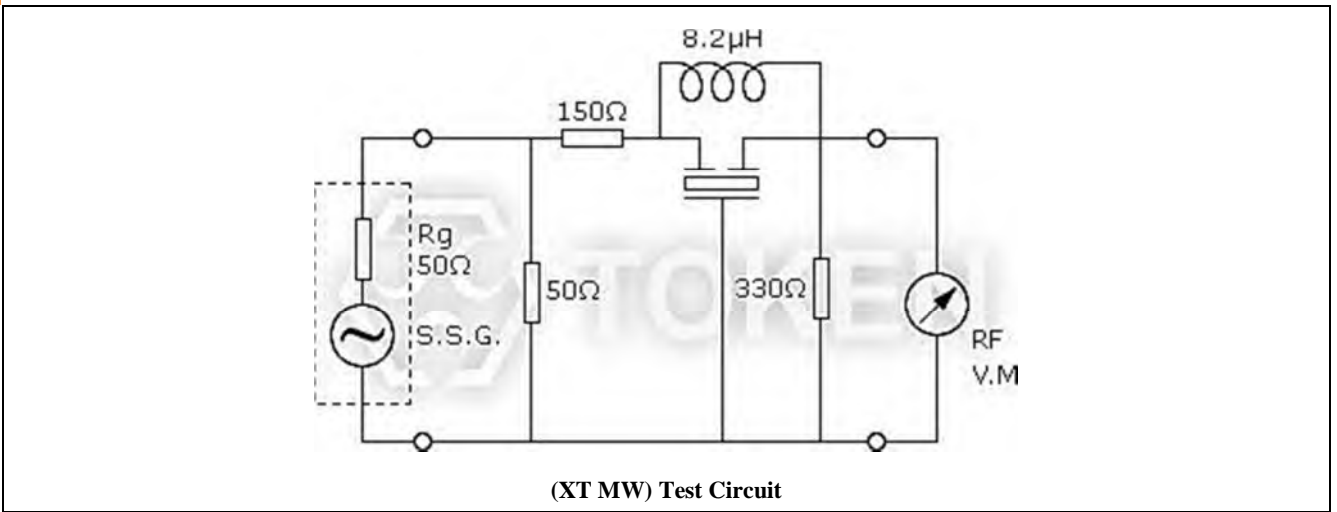
(XT MW) Characteristics

- The level at 1MHz shall be made for a reference (0dB).



▶ **Test Circuit**

Test Circuit (XT MW)



▶ **Order Codes**

Order Codes (XT MW)

XT4.47MW	P
Part Number	Package

▶ **General Information**

Advantage of DeMint Piezoelectric Trap Filters

DeMint Electronics had been able to develop specialized piezo materials which when combined with an advance design have resulted in a complete line of practical, inexpensive piezo devices for entertainment and communications applications.

DeMint reliably deliver high-quality components according to the each customer special needs with respect to performance, costs, and technology modifications.

For marketing discontinuations or sourcing activities concerning Piezoelectric “Trap” products, you are encouraged to contact our Sales Department so the request can be properly directed within DeMint.

